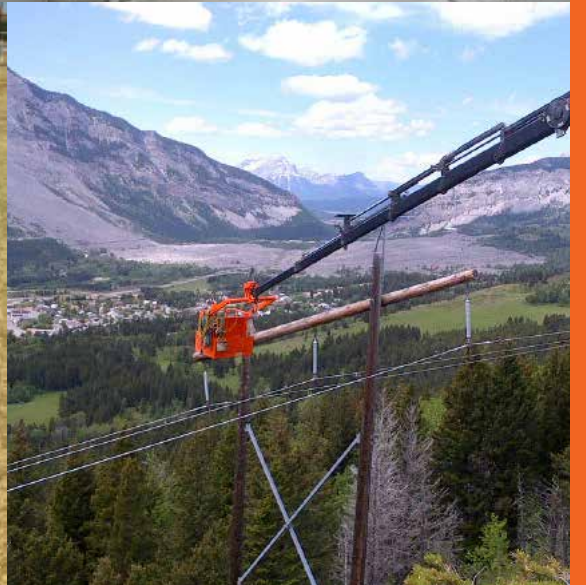


LIFT WISE[®]

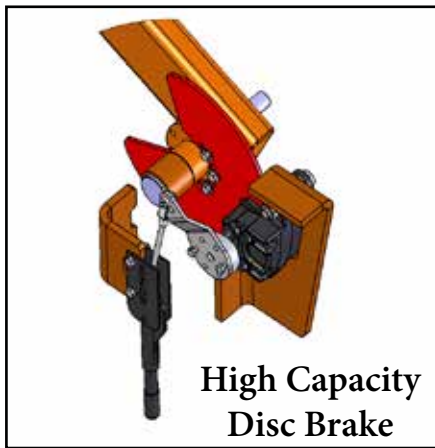
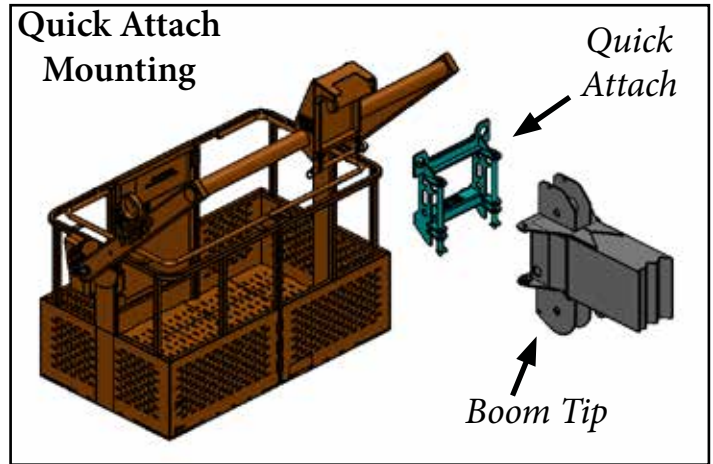
Yoke Man Basket



254-757-1177 | sales@lift-wise.com | lift-wise.com

SPECIFICATIONS (90° - 6ft)

Load Capacity	1200 lb (544 kg)
Dimensions	
Assembly	89" x 81" x 58"
Basket	72" x 43" x 44"
Floor Space	42" x 72"
Attachment	Crane Specific Adapter
Weight	660 lb (299 kg)
Folding	No
Mounting	Boom Truck/Service Crane/ Knuckle Boom



OPTIONS

- 90° Yoke - 6ft
- 90° Yoke - 4ft
- 90° Yoke - 4ft - Stow N Go
- 90° Yoke - 4ft - Hydraulic
- 90° Yoke - Altec 40 Ton Crane
- 45° Yoke - 6ft
- Metal to top rail

FEATURES

- Steel Construction to meet the rigors of contractors and utility applications
- High capacity disc brake
- Full-sized floor provides more space for men and materials - 21 square feet
- Quick attach mounting permits installation on multiple cranes
- Slots in the floor to drain water
- Upset holes for skid resistance
- Space saving inward opening gates promote easy basket entry
- Meets or exceeds industry standards (ASME B30.5, ASME B30.22, ASME B30.23 & CSA Z150)

LIFTWISE



BASKET OF CHOICE



Material and specifications are subject to change without notice. Units in photos may include optional features. Contact a LiftWise representative for available options. LiftWise® and the LiftWise logo are registered trademarks of Fritel & Associates, LLC and may not be used without permission.
© 2023 Diversified Product Development All Rights Reserved.



254-757-1177 | sales@lift-wise.com | lift-wise.com