

LIFT WISE

A-Frame Handler



Pinning Manipulator



Weldment Cart



Axle Installer

Self Propelled Manipulators

SPECIFICATIONS

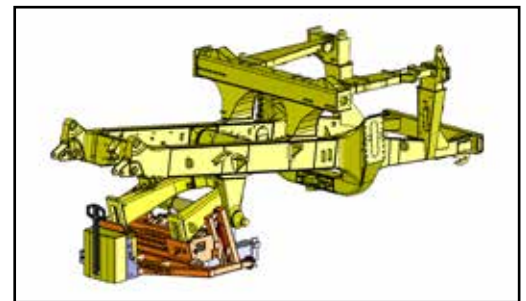
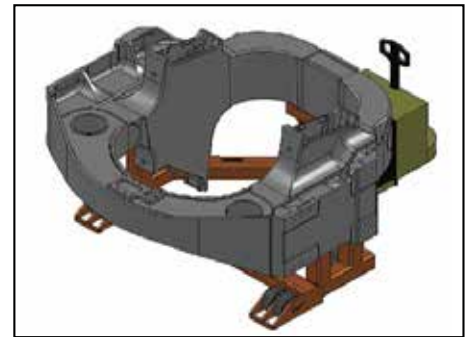
| | A-FRAME HANDLER | AXLE INSTALLER | WELDMENT CART | PINNING MANIPULATOR |
|---------------------|--|---|----------------------|--|
| Lift Capacity | 5,400lb (2449 kg) | 21,000 (lb) 9525 kg | 23,000 lb (10432 kg) | 113,750 lb (51596 kg) |
| Length | 109.5" (2781 mm) | 148" (3759 mm) | 157.6" (4003 mm) | 93" stowed (2362 mm) |
| Width | 120.75" (3067 mm) | 139.5" (3543 mm) | 107" (2718 mm) | 116" (2946 mm) |
| Height | 52" (1321 mm) | 59.5" (1511 mm) | 42" (1067 mm) | 65" (1651 mm) |
| Hydraulic Functions | Lift Travel: 18-22" Side Shift: ±4" | Tilt: ±5°, Lift 18" Side Shift: ±4" Travel: ±2" | NA | Lift: 42", Side Shift: 6" Tilt: Side to Side, FWD/BACK |
| Power | 24VDC | 24VDC | 24VDC | 48VDC |
| Max Speed | 3.7 mph | 3.7 mph | 3.7 mph | 3ft/min |
| Weight | 3320 lb (1506 kg) | 9460 lb (4291 kg) | 4590 lb (2082 kg) | 6798 lb (3084 kg) |

OPTIONS

- Modified capacities and features to meet your applications

FEATURES

- Hydraulically powered functions (lift, tilt, side shift, travel)
- Radio remote with back up tethered pendant remote
- Uses the familiar controls and maneuvering abilities of a pallet truck
- On-board charger
- Rigid tubular frame provides stable support for heavy loads
- Operation, maintenance and parts manual



CUSTOMIZED

MATERIAL HANDLING

SOLUTIONS

Material and specifications are subject to change without notice. Units in photos may include optional features. Contact a LiftWise representative for available options. LiftWise® and the LiftWise logo are registered trademarks of Fritel & Associates, LLC and may not be used without permission.

© 2023 Diversified Product Development All Rights Reserved.



254-757-1177 | sales@lift-wise.com | lift-wise.com