

LIFTWISE

Differential/Transmission Manipulators



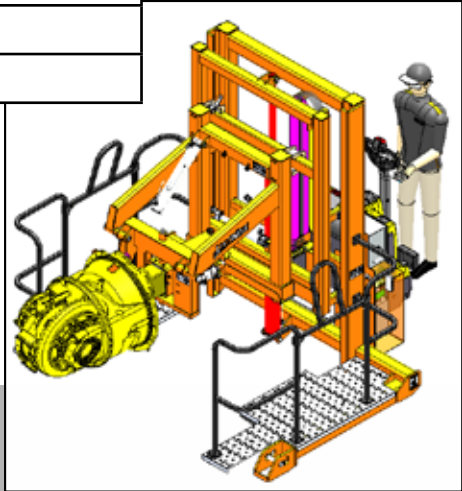
254-757-1177 | sales@lift-wise.com | lift-wise.com

SPECIFICATIONS

DIFFERENTIAL

TRANSMISSION

Load Capacity	1800 lb (816 kg)	6000 lb (2721 kg)
Tilt Adjustment	120°	8° up 2° down
Swing Adjustment	30°	30°
Side Shift	+/-3" (76 mm)	+/-3" (76 mm)
Extend	6" (152 mm)	8" (203 mm)
Lift Travel	60" (1524 mm)	30" (762 mm)
Weight	3700 lb (1678 kg)	5700 lb (2585 kg)



OPTIONS

- Modified capacities and features (safety fences with interlocking access points) to meet your applications
- Custom adapters allow for compatibility of components

FEATURES

- Safe and precise manipulation during component installation
- Integrated pallet truck for familiar operation
- Six distinct movement functions: lift, tilt, swing, side-shift, rotate and extend
- Radio remote with back up tethered pendant remote
- Operation, maintenance and parts manual



CUSTOMIZED MATERIAL HANDLING SOLUTIONS



Material and specifications are subject to change without notice. Units in photos may include optional features. Contact a LiftWise representative for available options. LiftWise® and the LiftWise logo are registered trademarks of Fritel & Associates, LLC and may not be used without permission. © 2023 Diversified Product Development All Rights Reserved.