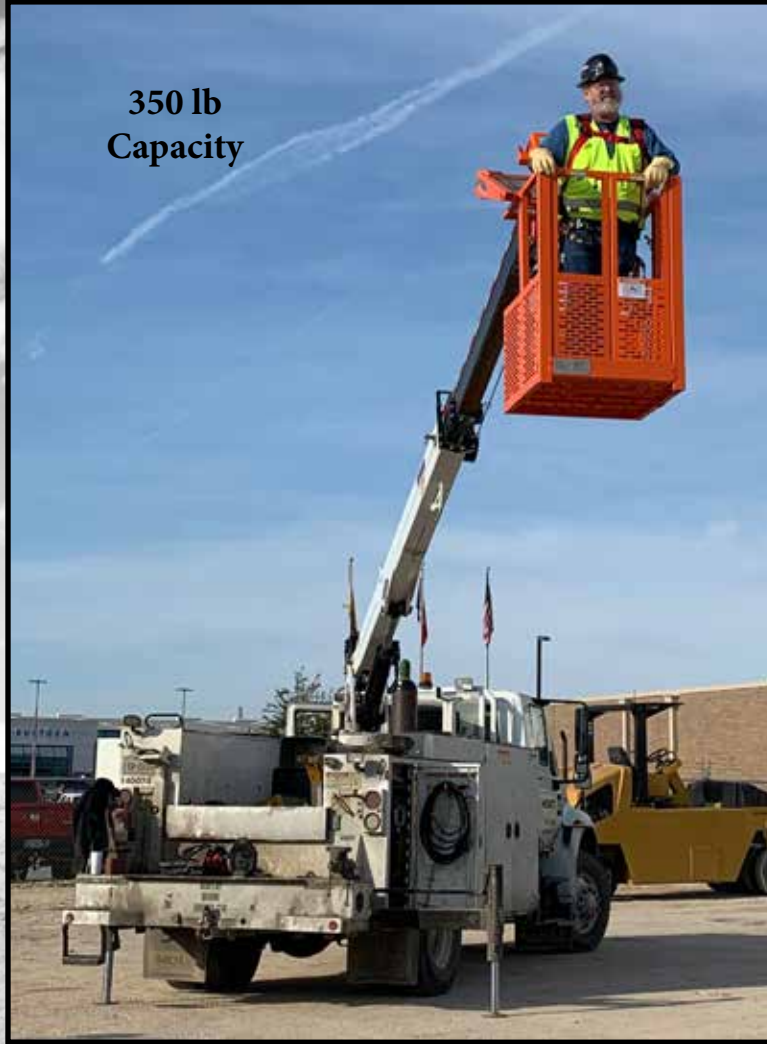


Single Man Basket

350 lb
Capacity

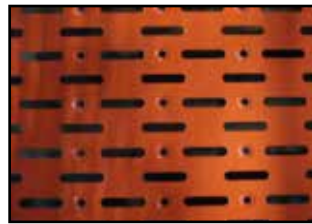


LIFTWISE[®]

by Diversified Products

254-757-1177
www.lift-wise.com

The next generation basket designed by engineers after many years of input from operators and field crews.



FLOOR

- Slots in the floor to drain water
- Upset holes for skid resistance



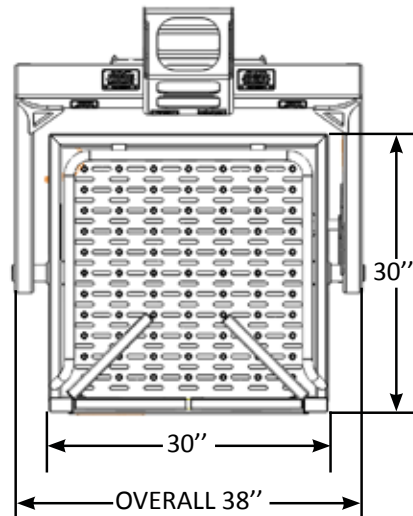
ENTRANCE

- Space saving inward opening gates promote easy basket entry



BRAKE

- High capacity disc brake
- Low Maintenance



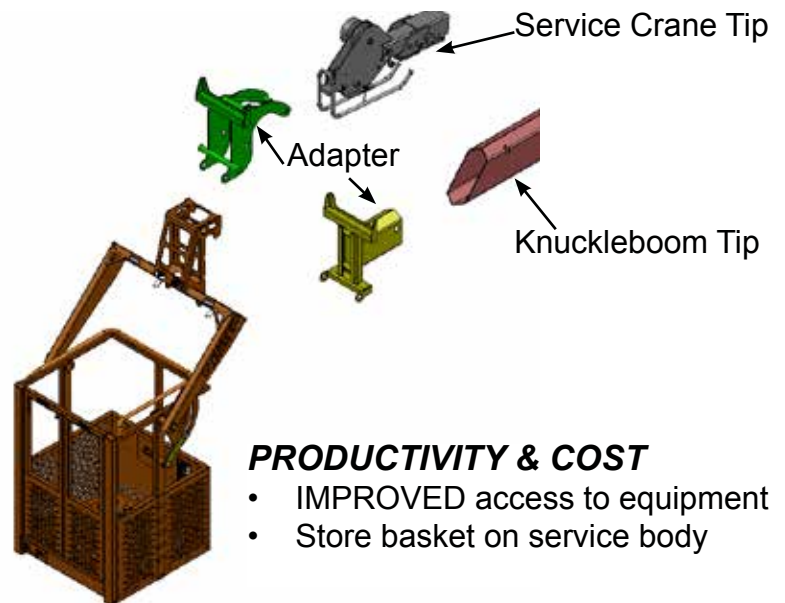
WORK AREA

- Large open area for increase productivity
- Full-sized floor provides more space for men and materials
- 30" x 30"

- Options*
- Step
 - Stand for installation on uneven ground or larger cranes
 - CSA upper basket enclosure

Features and Benefits:

- Steel construction to meet the rigors of contractors and utility applications
- Meets or exceeds industry standards
- Provides Fall Arrest & Fall Protection
- Eliminates Ladders of Climbing on Equipment



PRODUCTIVITY & COST

- IMPROVED access to equipment
- Store basket on service body

1001 Webster Avenue
 Waco, TX 76706
 254-757-1177
 dpd@diversifiedproduct.com
 www.lift-wise.com



PRODUCT CONCEPT | PRODUCT ENGINEERING | PRODUCT FABRICATION

Photos and diagrams are for promotional purposes only. Product design and specifications may change without notice or obligation.

©2019 Diversified Products