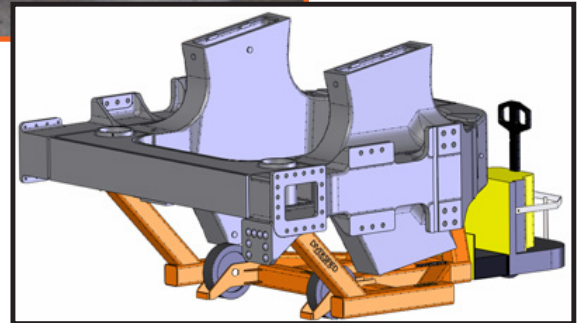
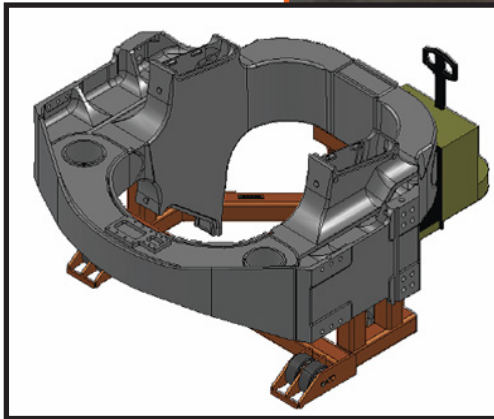


Casting Transporter



Specifications

Custom handling device for 23,000 lb subweldments.

Efficiently moves casting from subwelding area to final welding area.

Capacity.....23,000 lbs.
Length.....157.6”
Width.....107”
Max. Travel Speed.....3.7 mph
Onboard charger voltage....110VAC
Rigid Tubular Frame

1001 Webster Avenue
Waco, TX 76706
254-757-1177
dpd@diversifiedproduct.com
www.lift-wise.com

LIFTWISE
by Diversified Products



PRODUCT CONCEPT | PRODUCT ENGINEERING | PRODUCT FABRICATION

*Photos and diagrams are for promotional purposes only.
Product design and specifications may change without notice or obligation.*

©2018 Diversified Products