

By **DIVERSIFIED**

Texas License No: F-9655

REV.A

BOOM TIP ADAPTER FORM – KNUCKLE BOOM

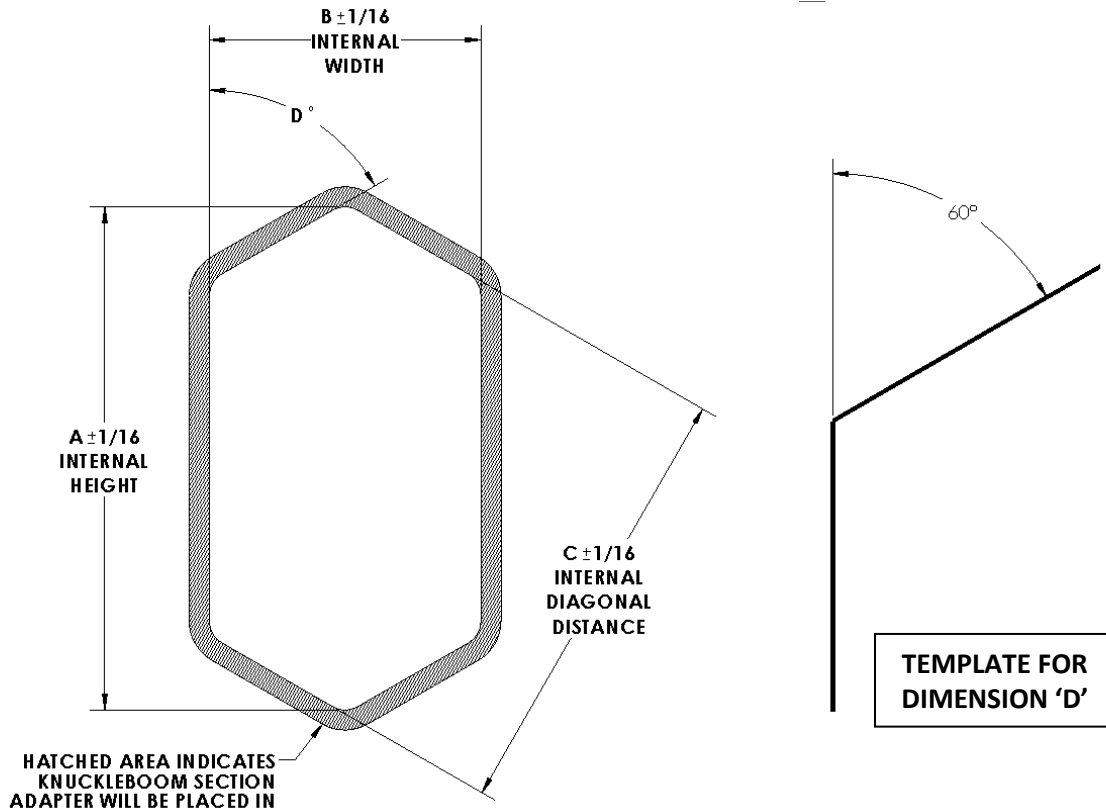
Please fill out this form completely and include pictures of the top, sides, and ends of the boom.

When completed, send this form and pictures to

noahg@diversifiedproduct.com or fax to (254) 757-1188.

NOTE: WITHOUT PICTURES, WE CANNOT GUARANTEE A PROPER FIT.

COMPANY:	_____	CRANE MAKE:	_____
CONTACT NAME:	_____	CRANE MODEL:	_____
CONTACT PHONE:	_____	CRANE SERIAL NO.:	_____



- A _____ Internal Tube Height
- B _____ Internal Tube Width
- C _____ Internal Diagonal Distance
- D _____ Angle of Bend (60°, 65°, Neither)
- E _____ Diameter of Cross Pin

ADDITIONAL COMMENTS
